

HEAVY DUTY X-TENDA SHELF

A S S E M B L Y I N S T R U C T I O N S

HARDWARE

12 x 8 x 20mm Dowels

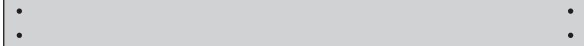


4 x 60mm Hammer nails/screws)




22 x 25mm Screws

COMPONENTS

a. 4 x Slats 

b. 2 x Diagonal braces 

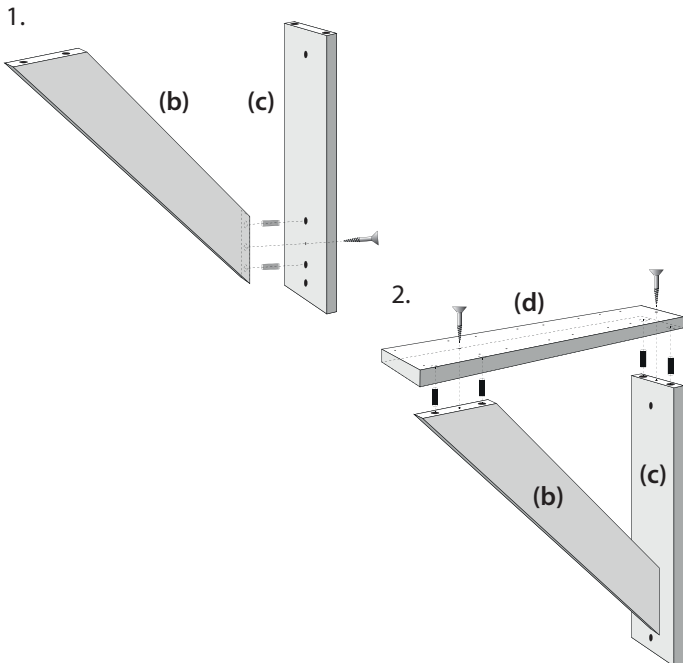
c. 2 x Wall brackets 

d. 2 x Horizontal supports 

1. BUILD THE TWO WALL BRACKETS

Referring to diagrams 1 and 2 as a guide, fit 12 x dowels into their respective holes in components b, c and d.

Assemble the components as per diagrams below and secure each bracket by using 3 x 25mm screws provided.



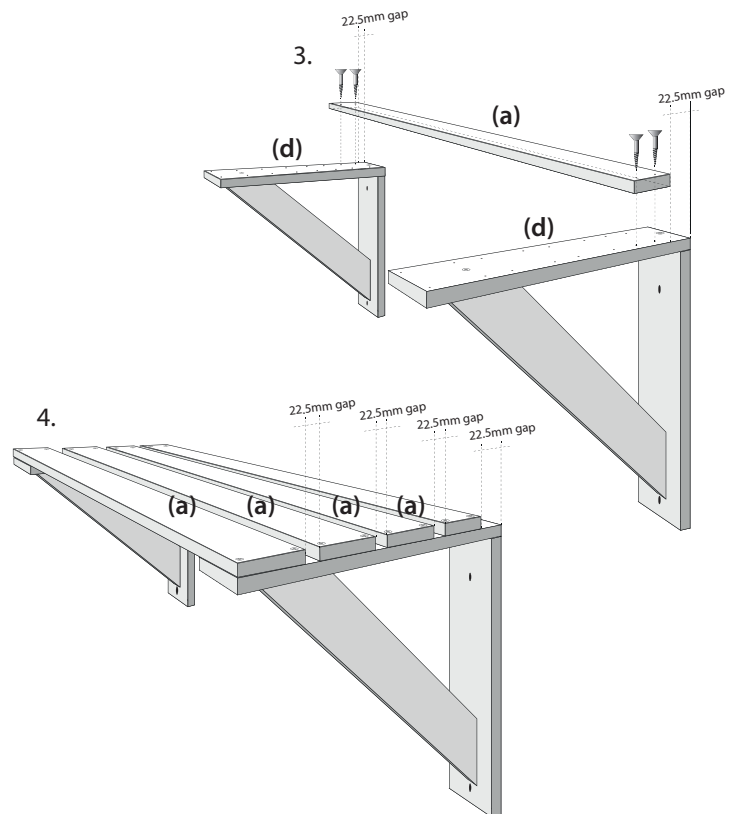
2. BUILDING A STANDARD SHELF WITH NO COMBINATIONS

Position 1 x 800mm slat (a) as per diagram 3, 22.5mm from the back edge of the wall bracket. Align the 800mm slat with the **OUTSIDE** pre-punched holes (inside if using the X-tenda option) and secure with 2 x 25mm screws as indicated.

Repeat the process on both sides, and for each slat, ensuring equal gaps between slats by utilising the pre-punched holes as your marker guide. The last slat fits flush with the front end of the bracket as per diagram 4.

TOOLS REQUIRED

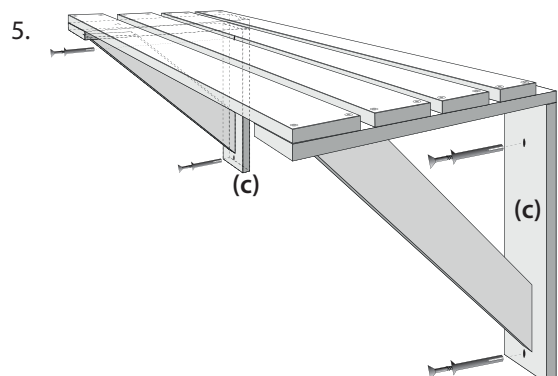
Hammer
Star screw driver
Tape measure
Spirit level
Masonry drill
6mm masonry drill bit
Ladder



3. FIXING THE COMPLETE SHELF TO THE WALL

Hold the completed shelf unit against the wall in the preferred height position. Place a spirit level on top of the shelf to ensure that the shelf itself is level. Using a marking pencil, mark the point on the wall through the 4 x pre-drilled holes on both wall brackets (c).

Drill 4 x holes 45mm deep using a 6mm masonry drill bit at each pencil mark. Position the shelf accordingly and push 4 x 60mm hammer nail/screws into the holes in the wall brackets and hammer into position, see diagram 5. Your shelf is now ready for use.



SEE BACK FOR MULTI PURPOSE X-TENDA COMBINATIONS

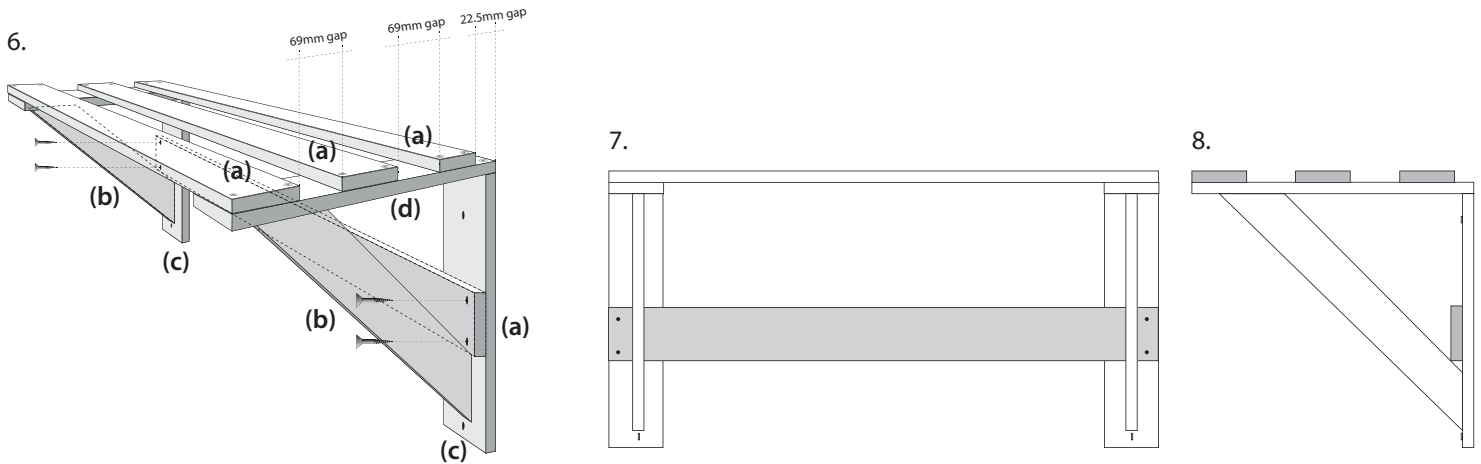
HEAVY DUTY X-TENDA SHELF

M U L T I P U R P O S E C O M B I N A T I O N S

4. HANGING RAIL OPTION

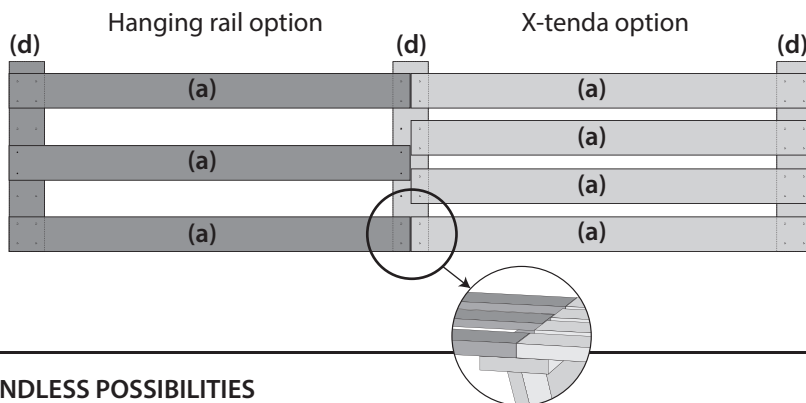
Position 1 x 800mm slat (a) as per diagram 3, 22.5mm from the back edge of the wall bracket. Only the first and the last slats fit into their respective pre-punched holes. The middle slat must be centrally positioned with a 69mm gap on either side as per diagram 6 and 8.

The fourth slat now becomes the hanging rail. Position the hanging rail by resting it onto the diagonal brackets (b) and centralize the hanging rail between the wall brackets (c) as indicated in diagram 6, 7 and 8. Fix hanging rail into place by using 4 x 25mm screws provided. You can buy any hooks or coat hooks and position equally across the length of the hanging rail.

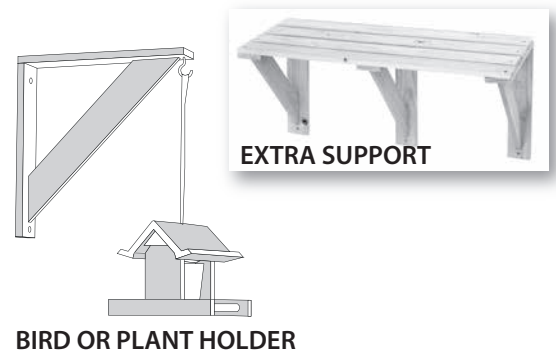


5. MULTI PURPOSE X-TENDA COMBINATIONS

Top view.



6. SPARE WALL BRACKET OPTIONS



7. ENDLESS POSSIBILITIES



8. CORNER DESIGN LAYOUT

